

200mm AC FAN

CE RS

● **General Specifications**

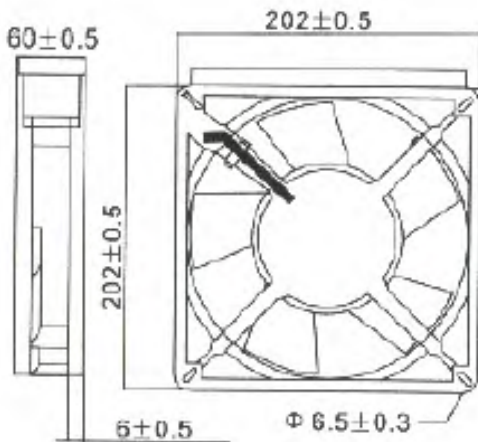
- ⌚ Material ----- Frame:Aluminum
Impeller:Plastics (Flammability:UL94V-0 rating)
- ⌚ Dielectric Strength ----- 50/60Hz 1500VAC 1minute
- ⌚ Life time -----15000 Hours Sleeve bearing
30000 Hours Ball bearing
- ⌚ Storage Temperatur--- -30℃ ~ +70℃ (Non-condensing)
- ⌚ Bearing Type----- Ball Bearings Sleeve
- ⌚ Speed Range----- ±10%
- ⌚ Part Numbering System
SFD-AC20060H 220 B - 1
- Waterproof level: 1=IP55,2=IP68
- Bearing:S=sleeve bearing,B=ball bearing
- AC Voltage: 110=100-125V、220=220-240V



200 X 200 X 60mm (Mass1610g)

Model No.	Voltage (v)	Frequ ency	Rated Current	Rated Input	Speed	Maximum Air Flow		Max.Static Pressure	Noise
	VAC	HZ	A/MP	Watt	R.P.M	M3/min	CFM	mmH2O	dB-A
SFD-AC20060H110B	100~125	50/60	0.42/0.46	50/60	2400	11	390	25.5	55
SFD-AC20060H220B	220~240	HZ	0.28/0.29	50/60	2400	11	390	25.5	55

● **Dimensions(unit:mm\inch)**



● **Air Flow-Static Pressure Characteristics**

