

150mm AC FAN

CE RS

● General Specifications

- ⊙ Material ----- Frame:Aluminum
Impeller:Plastics (Flammability:UL94V-0 rating)
- ⊙ Dielectric Strength ----- 50/60Hz 1500VAC 1minute
- ⊙ Life time -----15000 Hours Sleeve bearing
30000 Hours Ball bearing
- ⊙ Storage Temperat--- -30℃ ~ +70℃ (Non-condensing)
- ⊙ Bearing Type----- Ball Bearings Sleeve
- ⊙ Speed Range----- ±10%
- ⊙ Part Numbering System



SFD-AC15050H 220 B - 1

Waterproof level:1=IP55,2=IP68

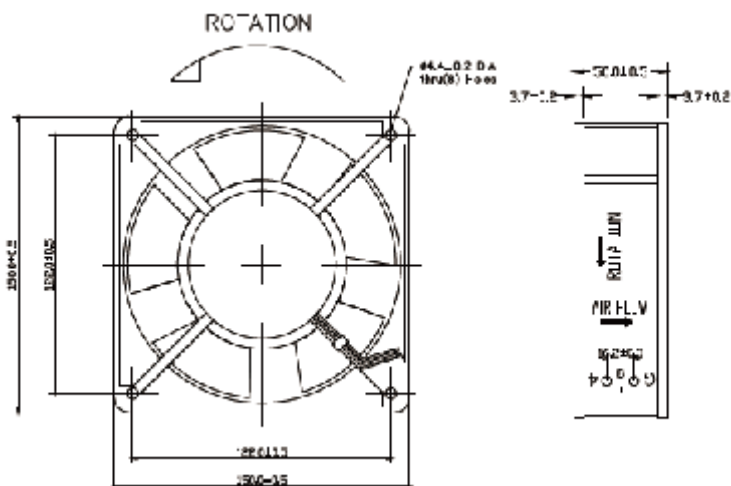
Bearing:S=sleeve bearing,B=ball bearing

AC Voltage: 110=100-125V、220=220-240V 380=380V

150 X 150 X 510mm (Mass900g)

Model No.	Voltage (v)	Frequ ency	Rated Current	Rated Input	Speed	Maximum Air Flow		Max.Static Pressure		Noise
	VAC	HZ	A/MP	Watt	R.P.M	M3/min	CFM	mmH2O	IN H2O	dB-A
SFD-AC15050M110B	100~125	50/60 HZ	0.39/0.41	30/32	2300/2400	4.0/4.5	160/170	14/15		40/41
SFD-AC15050M220B	220~240		0.18/0.19	28/30	2300/2400	4.0/4.5	160/170	14/15		40/41
SFD-AC15050H110B	100~125		0.45/0.50	36/37	2700/3100	5.38/6.67	191/236	16/17.8		45/50
SFD-AC15050H220B	220~240		0.21/0.22	33/34	2700/3100	5.38/6.67	191/236	16/17.8		45/50
SFD-AC15050H380B	380		0.11	34	2700	5.38	192	15.1		45

● Dimensions(unit:mm/linch)



● Air Flow-Static Pressure Characteristics

