

120mm DC FAN

CE RS

● General Specifications

- ⌚ Material ----- Frame:Plastics (Flammability:UL94V-0)
Impeller:Plastics (Flammability:UL94V-0)
- ⌚ Lead Wire ----- + Red - Black (Sensor) Yellow (Control) Brown
- ⌚ Life time -----25000 Hours Sleeve bearing
50000 Hours Ball bearing
- ⌚ Storage Temperatur--- -30℃ ~ +70℃ (Non-condensing)
- ⌚ Bearing Type----- Ball Bearings Sleeve
- ⌚ Speed Range----- ±10%
- ⌚ Part Numbering System



SFD-GB1212HHE- **B R 1**

Waterproof level:0=no,1=IP55,2=IP68

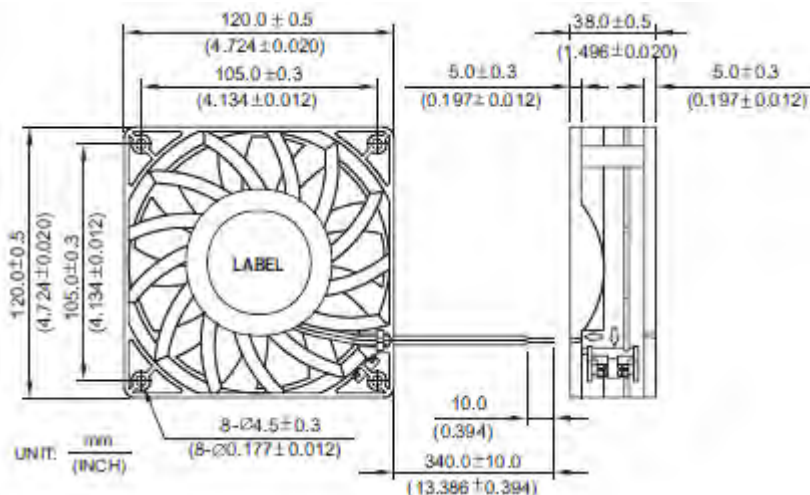
Sensor: 0=no,R=RD sensor ,F=FG sensor ,P=PWM sensor ,T=Temperature sensor

Bearing:S=sleeve bearing,B=ball bearing,Y=superflo bearing,L=long life bearing

120 X 120 X 38mm (Mass:345g)

| Model No. | Rated Voltage | Operating Voltage | Rated Current | Rated Input | Speed | Maximum Air Flow | | Max.Static Pressure | | Noise |
|---------------|---------------|-------------------|---------------|-------------|-------|------------------|-------|---------------------|--------|-------|
| | VDC | VDC | AMP | Watt | R.P.M | M3/min | CFM | MmH2O | IN H2O | dB-A |
| SFD-GB1212VHE | 12 | 7.2-13.8 | 1.05 | 12.6 | 3300 | 4.29 | 150.0 | 11.25 | 0.44 | 53.5 |
| SFD-GB1212SHE | | | 1.55 | 18.6 | 3800 | 4.81 | 169.8 | 14.21 | 0.558 | 57.5 |
| SFD-GB1212EHE | | | 2.1 | 25.2 | 4300 | 5.36 | 189.2 | 17.72 | 0.69 | 60.5 |
| SFD-GB1224VHE | 24 | 14.5~27.5 | 0.58 | 13.92 | 3300 | 4.29 | 150.0 | 11.25 | 0.44 | 53.5 |
| SFD-GB1224SHE | | | 0.84 | 20.16 | 3800 | 4.81 | 169.8 | 14.21 | 0.558 | 57.5 |
| SFD-GB1224EHE | | | 1.04 | 24.96 | 4300 | 5.36 | 189.2 | 17.72 | 0.69 | 60.5 |
| SFD-GB1248VHE | 48 | 29.0~55.0 | 0.31 | 14.88 | 3300 | 4.29 | 150.0 | 11.25 | 0.44 | 53.5 |
| SFD-GB1248SHE | | | 0.40 | 19.2 | 3800 | 4.81 | 169.8 | 14.21 | 0.558 | 57.5 |
| SFD-GB1248EHE | | | 0.53 | 25.44 | 4300 | 5.36 | 189.2 | 17.72 | 0.69 | 60.5 |

● Dimensions(unit:mm/inch)



● Air Flow-Static Pressure Characteristics

