

120mm DC FAN
CE RS
● General Specifications

- ⌚ Material ----- Frame:Plastics (Flammability:UL94V-0)
Impeller:Plastics (Flammability:UL94V-0)
- ⌚ Lead Wire ----- + Red - Black (Sensor) Yellow (Control) Brown
- ⌚ Life time -----25000 Hours Sleeve bearing
50000 Hours Ball bearing
- ⌚ Storage Temperatur--- -30°C ~ +70°C (Non-condensing)
- ⌚ Bearing Type----- Ball Bearings Sleeve
- ⌚ Speed Range----- ±10%
- ⌚ Part Numbering System

 SFD-FB1212HHE- **B R 1**

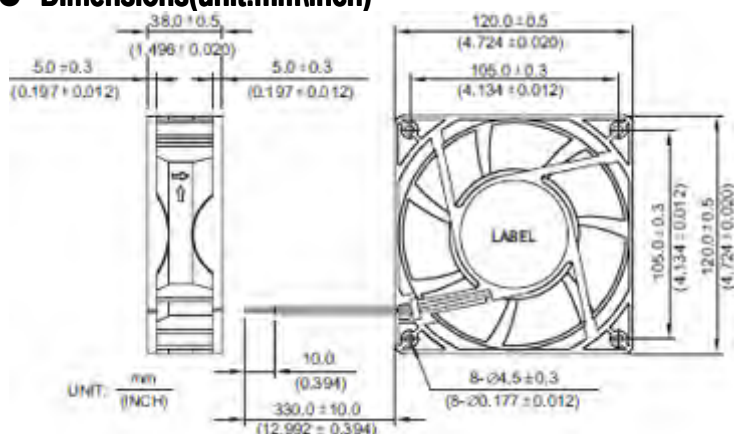
Waterproof level:0=no,1=IP55,2=IP68

Sensor: 0=no,R=RD sensor ,F=FG sensor ,P=PWM sensor ,T=Temperature sensor

Bearing:S=sleeve bearing,B=ball bearing,Y=superflo bearing,L=long life bearing


120 X 120 X 38mm (Mass: 240g)

Model No.	Rated Voltage	Operating Voltage	Rated Current	Rated Input	Speed	Maximum Air Flow		Max.Static Pressure		Noise
	VDC	VDC	AMP	Watt	R.P.M	M3/min	CFM	MmH2O	IN H2O	dB-A
SFD-FB1212LE	12	7.2-13.8	0.20	2.4	2000	2.38	84.72	4.55	0.17	34.5
SFD-FB1212ME			0.28	3.36	2350	2.67	94.86	5.94	0.234	39.0
SFD-FB1212HE			0.35	4.2	2650	2.98	104.8	7.56	0.296	42.0
SFD-FB1212HHE			0.48	5.76	2950	3.36	119.7	8.98	0.381	45.5
SFD-FB1212VHE			0.63	7.56	3300	3.64	128.4	10.58	0.413	49.5
SFD-FB1212SHE			1.08	12.96	3800	4.28	150.2	14.30	0.568	54.5
SFD-FB1224LE	24	14.5~27.5	0.16	3.84	2000	2.38	84.72	4.55	0.17	34.5
SFD-FB1224ME			0.21	5.04	2350	2.67	94.86	5.94	0.234	39.0
SFD-FB1224HE			0.26	6.24	2650	2.98	104.8	7.56	0.296	42.0
SFD-FB1224HHE			0.32	7.68	2950	3.36	119.7	8.98	0.381	45.5
SFD-FB1224VHE			0.40	9.6	3300	3.64	128.4	10.58	0.413	49.5
SFD-FB1224SHE			0.53	12.72	3800	4.28	150.2	14.30	0.568	54.5
SFD-FB1248HE	48	29.0~55.0	0.13	6.24	2650	2.98	104.8	7.56	0.296	42.0
SFD-FB1248HHE			0.16	7.68	2950	3.36	119.7	8.98	0.381	45.5
SFD-FB1248VHE			0.20	9.6	3300	3.64	128.4	10.58	0.413	49.5

● Dimensions(unit:mm/inch)

● Air Flow-Static Pressure Characteristics
