

120mm DC FAN

CE RS

● General Specifications

- ⊙ Material ----- Frame:Plastics (Flammability:UL94V-0)
Impeller:Plastics (Flammability:UL94V-0)
- ⊙ Lead Wire ----- + Red - Black (Sensor) Yellow (Control) Brown
- ⊙ Life time -----25000 Hours Sleeve bearing
50000 Hours Ball bearing
- ⊙ Storage Temperatur--- -30℃ ~ +70℃ (Non-condensing)
- ⊙ Bearing Type----- Ball Bearings Sleeve
- ⊙ Speed Range----- ±10%
- ⊙ Part Numbering System

SFD-FB1212HH- B R 1

Waterproof level:0=no,1=IP55,2=IP68

Sensor: 0=no,R=RD sensor ,F=FG sensor ,P=PWM sensor ,T=Temperature sensor

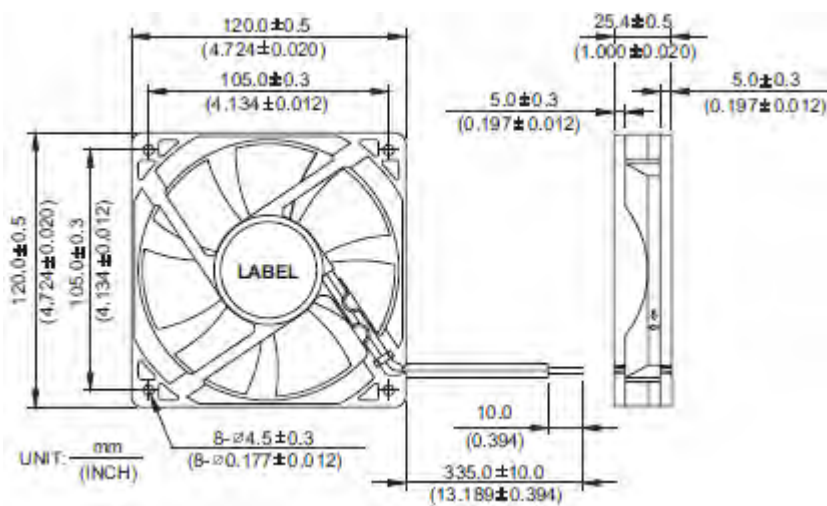
Bearing:S=sleeve bearing,B=ball bearing,Y=superflo bearing,L=long life bearing



120 X 120 X 25mm (Mass: 180g)

Model No.	Rated Voltage	Operating Voltage	Rated Current	Rated Input	Speed	Maximum Air Flow		Max.Static Pressure		Noise
	VDC	VDC	AMP	Watt	R.P.M	M3/min	CFM	MmH2O	IN H2O	dB-A
SFD-FB1212L	12	7.2-13.8	0.15	1.8	1900	1.76	62.88	3.91	0.152	33.0
SFD-FB1212M			0.19	2.28	2200	2.05	73.65	5.14	0.200	36.0
SFD-FB1212H			0.24	2.88	2500	2.31	82.55	6.21	0.238	39.5
SFD-FB1212HH			0.34	4.08	2800	2.67	94.91	7.69	0.301	42.5
SFD-FB1212VH			0.42	5.04	3100	2.92	102.8	9.41	0.369	45.0
SFD-FB1212SH			0.56	6.72	3500	3.19	112.7	10.86	0.425	47.0
SFD-FB1224L	24	14.5~27.5	0.10	2.4	1900	1.76	62.88	3.91	0.152	33.0
SFD-FB1224M			0.13	3.12	2200	2.05	73.65	5.14	0.200	36.0
SFD-FB1224H			0.15	3.6	2500	2.31	82.55	6.21	0.238	39.5
SFD-FB1224HH			0.19	4.56	2800	2.67	94.91	7.69	0.301	42.5
SFD-FB1224VH			0.24	5.76	3100	2.92	102.8	9.41	0.369	45.0
SFD-FB1224SH			0.30	7.2	3500	3.19	112.7	10.86	0.425	47.0

● Dimensions(unit:mm/inch)



● Air Flow-Static Pressure Characteristics

