

92mm DC FAN

CE RS

● General Specifications

- ⌚ Material ----- Frame:Plastics (Flammability:UL94V-0)
Impeller:Plastics (Flammability:UL94V-0)
- ⌚ Lead Wire ----- + Red - Black (Sensor) Yellow (Control) Brown
- ⌚ Life time -----25000 Hours Sleeve bearing
50000 Hours Ball bearing
- ⌚ Storage Temperatur--- -30℃ ~ +70℃ (Non-condensing)
- ⌚ Bearing Type----- Ball Bearings Sleeve
- ⌚ Speed Range----- ±10%
- ⌚ Part Numbering System

SFD-FB0912HH- **B R 1**

Waterproof level:0=no,1=IP55,2=IP68

Sensor: 0=no,R=RD sensor ,F=FG sensor ,P=PWM sensor ,T=Temperature sensor

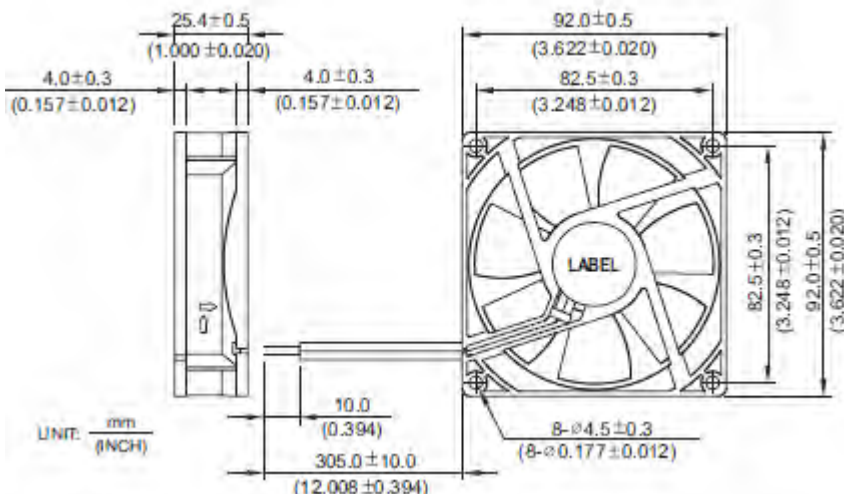
Bearing:S=sleeve bearing,B=ball bearing,Y=superflo bearing,L=long life bearing



92 X 92 X 25mm (Mass: 90g)

Model No.	Rated Voltage	Operating Voltage	Rated Current	Rated Input	Speed	Maximum Air Flow		Max.Static Pressure		Noise
	VDC	VDC	AMP	Watt	R.P.M	M3/min	CFM	MmH2O	IN H2O	dB-A
SFD-FB0912L	12	7.2-13.8	0.08	0.96	2100	1.04	37.0	2.50	0.095	25.5
SFD-FB0912M			0.12	1.44	2500	1.23	43.65	3.24	0.128	30.5
SFD-FB0912H			0.17	2.04	2850	1.44	51.18	4.48	0.176	34.5
SFD-FB0912HH			0.26	3.12	3250	1.63	57.85	5.61	0.218	38.5
SFD-FB0912VH			0.42	5.04	3900	1.91	67.5	7.65	0.301	46
SFD-FB0924L	24	14.5~27.5	0.07	1.68	2100	1.04	37.0	2.50	0.095	25.5
SFD-FB0924M			0.09	2.16	2500	1.23	43.65	3.24	0.128	30.5
SFD-FB0924H			0.12	2.88	2850	1.44	51.18	4.48	0.176	34.5
SFD-FB0924HH			0.15	3.60	3250	1.63	57.85	5.61	0.218	38.5
SFD-FB0924VH			0.25	6.00	3900	1.91	67.5	7.65	0.301	46
SFD-FB0948M	48	29.0~55.0	0.06	2.88	2500	1.23	43.65	3.24	0.128	30.5
SFD-FB0948H			0.07	3.36	2850	1.44	51.18	4.48	0.176	34.5
SFD-FB0948HH			0.09	4.32	3250	1.63	57.85	5.61	0.218	38.5

● Dimensions(unit:mm/inch)



● Air Flow-Static Pressure Characteristics

