

**70mm DC FAN**
**CE RS**
**● General Specifications**

- ⌚ Material ----- Frame:Plastics (Flammability:UL94V-0)  
Impeller:Plastics (Flammability:UL94V-0)
- ⌚ Lead Wire ----- + Red - Black (Sensor) Yellow (Control) Brown
- ⌚ Life time -----25000 Hours Sleeve bearing  
50000 Hours Ball bearing
- ⌚ Storage Temperatur--- -30℃ ~ +70℃ (Non-condensing)
- ⌚ Bearing Type----- Ball Bearings Sleeve
- ⌚ Speed Range----- ±10%
- ⌚ Part Numbering System

SFD-FB0712HH- B R 1

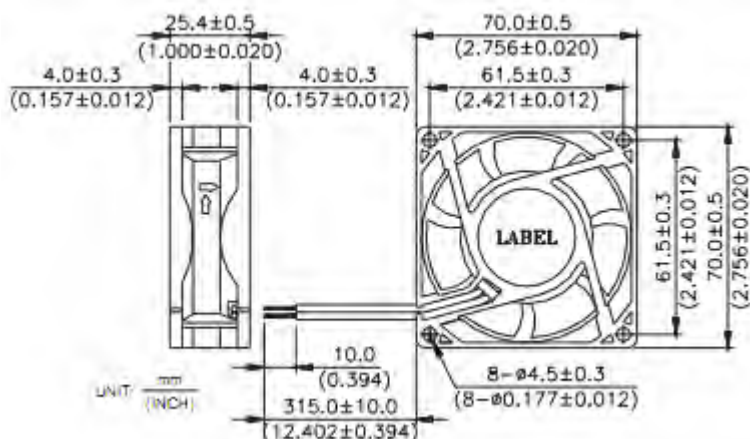
Waterproof level:0=no,1=IP55,2=IP68

Sensor: 0=no,R=RD sensor ,F=FG sensor ,P=PWM sensor ,T=Temperature sensor

Bearing:S=sleeve bearing,B=ball bearing,Y=superflo bearing,L=long life bearing


**70 X 70 X 25mm ( Mass: 70g)**

Model No.	Rated Voltage	Operating Voltage	Rated Current	Rated Input	Speed	Maximum Air Flow		Max.Static Pressure		Noise
	VDC	VDC	AMP	Watt		R.P.M	M3/min	CFM	MmH2O	
SFD-FB0712L	12	7.5~13.2	0.10	1.2	2400	0.597	21.15	1.98	0.077	23.5
SFD-FB0712M			0.14	1.68	3200	0.816	28.83	3.54	0.139	32.0
SFD-FB0712H			0.23	2.76	4000	1.026	36.28	5.51	0.216	38.0
SFD-FB0712HH			0.33	3.96	4800	1.245	43.99	7.88	0.310	45.0
SFD-FB0712VH			0.48	5.76	5600	1.471	51.96	10.98	0.432	47.4
SFD-FB0712SH			0.72	8.64	6400	1.728	61.02	15.88	0.624	53
SFD-FB0724L	24	14.5~27.5	0.08	1.92	2400	0.597	21.15	1.98	0.077	23.5
SFD-FB0724M			0.13	2.73	3200	0.816	28.83	3.54	0.139	32.0
SFD-FB0724H			0.17	4.08	4000	1.026	36.28	5.51	0.216	38.0
SFD-FB0724HH			0.22	5.28	4800	1.245	43.99	7.88	0.310	45.0
SFD-FB0724VH			0.30	7.2	5600	1.471	51.96	10.98	0.432	47.4

**● Dimensions(unit:mm\inch)**

**● Air Flow-Static Pressure Characteristics**
