

● General Specifications

- ⊙ Material -----Frame:Plastics (Flammability:UL94V-0)
Impeller:Plastics (Flammability:UL94V-0)
- ⊙ Lead Wire-----+ Red - Black (Sensor) Yellow (Control) Brown
UL 1061 AWG#24 OR Equivalent
- ⊙ Storage Temperatur--- -30°C ~ +70°C (Non-condensing)
- ⊙ Bearing Type----- Ball Bearings Sleeve
- ⊙ Speed Range----- ±10%
- ⊙ Part Numbering System



SFD-FB0412HB- B R 1

Waterproof level:0=no,1=IP55,2=IP68

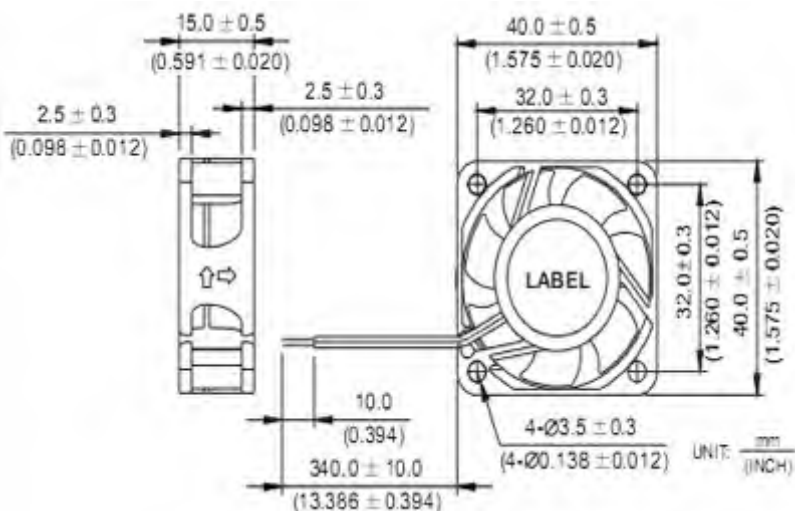
Sensor: 0=no,R=RD sensor ,F=FG sensor ,P=PWM sensor ,T=Temperature sensor

Bearing:S=sleeve bearing,B=ball bearing,Y=superflo bearing

40 X 40 X 15 mm (Mass: 24g)

Model No.	Rated Voltage	Operating Voltage	Rated Current	Rated Input	Speed	Maximum Air Flow		Max.Static Pressure		Noise
	VDC	VDC	AMP	Watt	R.P.M	M3/min	CFM	MmH2O	IN H2O	dB-A
SFD-FB0412LB	12	7~13.2	0.06	0.72	4900	0.181	6.42	3.62	0.141	19
SFD-FB0412MB			0.09	1.08	5900	0.220	8.08	5.09	0.198	25.5
SFD-FB0412HB			0.10	1.2	6900	0.263	9.38	6.86	0.268	29
SFD-FB0412HHB			0.13	1.56	8200	0.316	11.28	9.08	0.351	32.5
SFD-FB0412UB			0.16	1.92	9300	0.360	12.89	11.52	0.453	37.5
SFD-FB0412XB			0.25	3.00	10500	0.411	14.65	14.98	0.592	42.5
SFD-FB0424LB	24	14.5~26.5	0.05	1.20	4900	0.181	6.42	3.62	0.141	19
SFD-FB0424MB			0.06	1.44	5900	0.220	8.08	5.09	0.198	25.5
SFD-FB0424HB			0.08	1.92	6900	0.263	9.38	6.86	0.268	29
SFD-FB0424HHB			0.09	2.16	8200	0.316	11.28	9.08	0.351	32.5
SFD-FB0424UB			0.1	2.40	9300	0.360	12.89	11.52	0.453	37.5
SFD-FB0424XB			0.12	2.88	10500	0.411	14.65	14.98	0.592	42.5

● Dimensions(unit:mm/inch)



● Air Flow-Static Pressure Characteristics

