

● General Specifications

- ⌚ Material -----Frame:Plastics (Flammability:UL94V-0)
Impeller:Plastics (Flammability:UL94V-0)
- ⌚ Lead Wire-----+ Red - Black (Sensor) Yellow (Control) Brown
UL 1061 AWG#28 OR Equivalent
- ⌚ Storage Temperat--- -30°C ~ +70°C (Non-condensing)
- ⌚ Bearing Type----- Ball Bearings Sleeve
- ⌚ Speed Range----- ±10%
- ⌚ Part Numbering System



SFD-FB0412HA- B R 1

Waterproof level:0=no,1=IP55,2=IP68

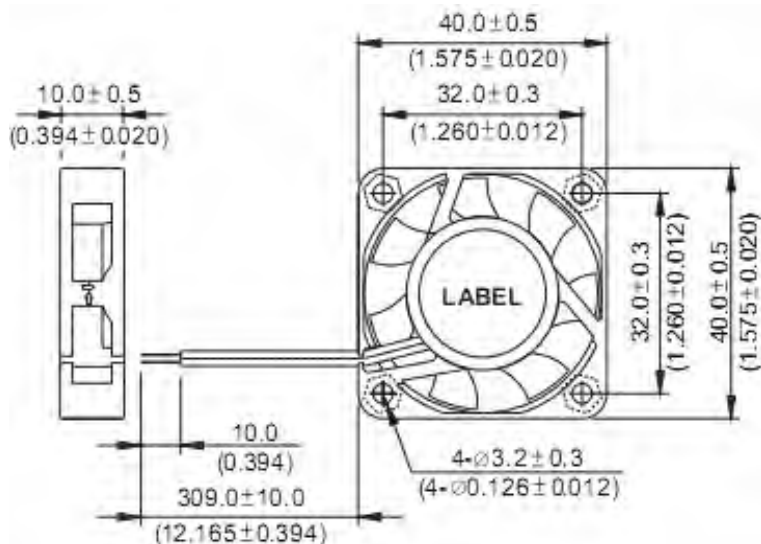
Sensor: 0=no,R=RD sensor ,F=FG sensor ,P=PWM sensor ,T=Temperature sensor

Bearing:S=sleeve bearing,B=ball bearing,Y=superflo bearing

40 X 40 X 10 mm (Mass: 15g)

Model No.	Rated Voltage	Operating Voltage	Rated Current	Rated Input	Speed	Maximum Air Flow		Max.Static Pressure		Noise
	VDC	VDC	AMP	Watt	R.P.M	M3/min	CFM	MmH2O	IN H2O	dB-A
SFD-FB0405LA	5	4.5~5.5	0.07	0.35	3800	0.102	3.68	1.41	0.054	20.5
SFD-FB0405MA			0.10	0.50	4800	0.164	5.84	2.22	0.084	24.5
SFD-FB0405HA			0.13	0.65	5800	0.192	6.88	3.23	0.124	27.5
SFD-FB0405HHA			0.19	0.95	6800	0.224	8.01	4.38	0.170	31.5
SFD-FB0412LA	12	7.2~13.5	0.05	0.36	3800	0.102	3.68	1.41	0.054	20.5
SFD-FB0412MA			0.06	0.60	4800	0.164	5.84	2.22	0.084	24.5
SFD-FB0412HA			0.08	0.96	5800	0.192	6.88	3.23	0.124	27.5
SFD-FB0412HHA			0.10	1.2	6800	0.224	8.01	4.38	0.170	31.5
SFD-FB0412UA			0.16	1.92	8000	0.262	9.32	5.71	0.221	38.5

● Dimensions(unit:mm/inch)



● Air Flow-Static Pressure Characteristics

